



VERSIONS

Type	Description	Pin Configuration
ZCJST-XHP	Connector Socket Housing	2 - 8
ZCJST-SXH	JST Crimp Contacts for ZCJST-XHP	
ZCJST-NR	Insulation Displacement Termination for AWG24 (XHP)	4 - 8
ZC2SL	Pin Strip RM 2.54 mm	4 - 8
ZCPHOFK-MC0,5	Clip-on Plug	2 - 12
ZCPHOFK-2,5HC	Clip-on Plug, big	2 - 4
ZCWE-RM5	Clip-on Plug, 3-pin, RM 5 mm, Clip-on Plug, 6-pin, RM 5 mm	3 - 6

ORDER IDENTIFIER



ZCJST-XHP-

- 2 = 2 Pin Configuration
- 3 = 3 Pin Configuration
- 4 = 4 Pin Configuration
- 5 = 5 Pin Configuration
- 6 = 6 Pin Configuration
- 8 = 8 Pin Configuration

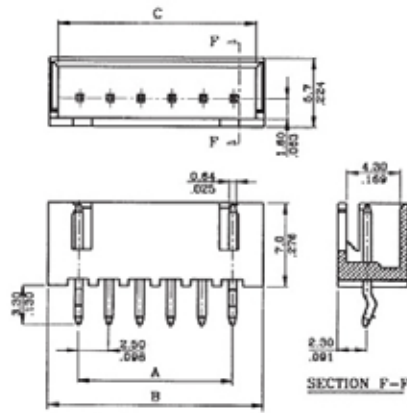
CAUTION



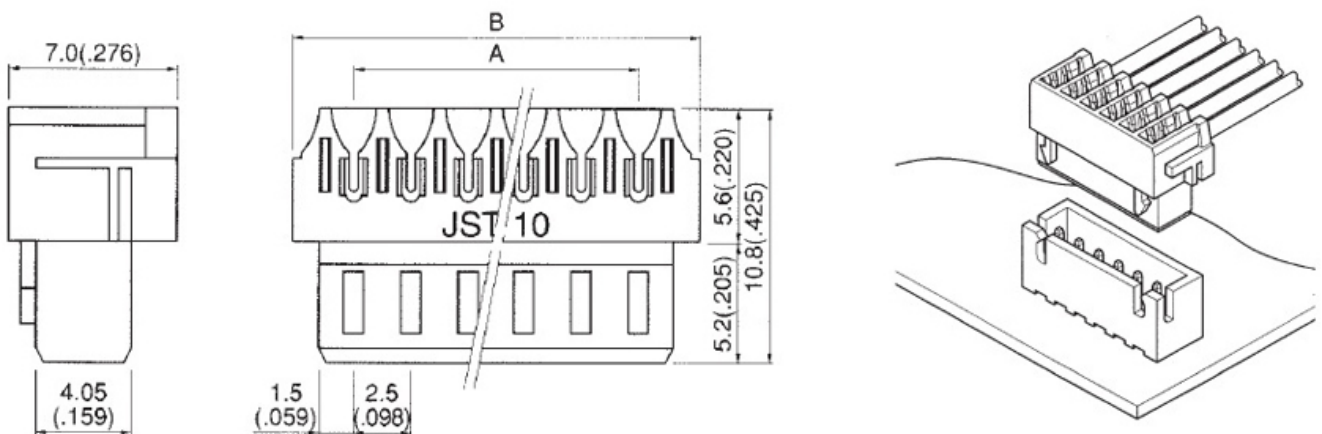
For mounting the connector, please use a crimping tool, e.g. JST WC-110.

DIMENSIONS (IN MM)

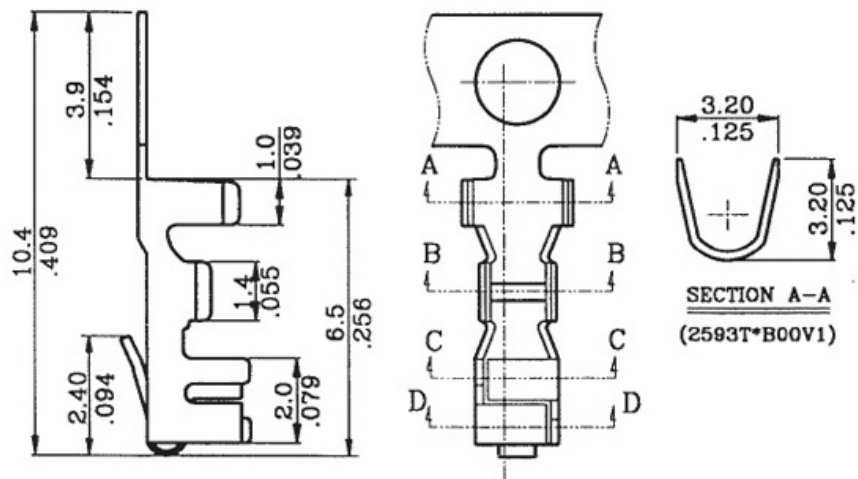
ZC2-



ZCJST

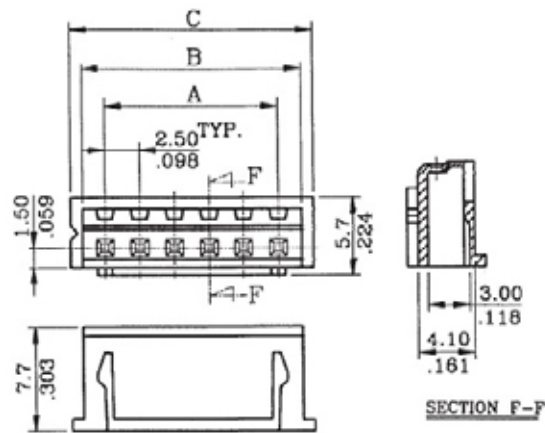


ZCJST-SXH

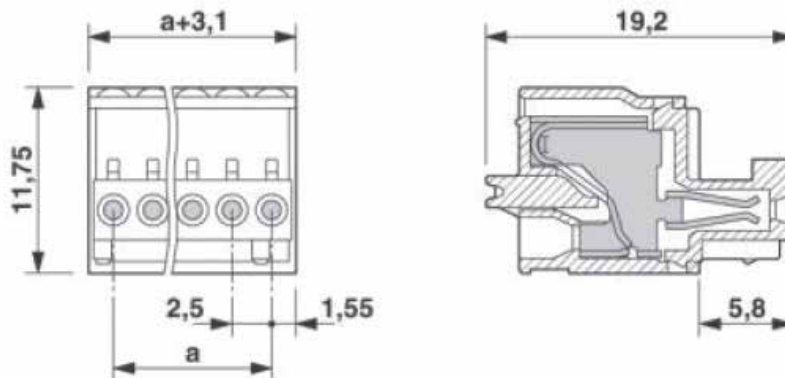


DIMENSIONS (IN MM)

ZCJST-XHP



ZCPHOFK-MC0.5



ZCPHOFKC-2.5HC

